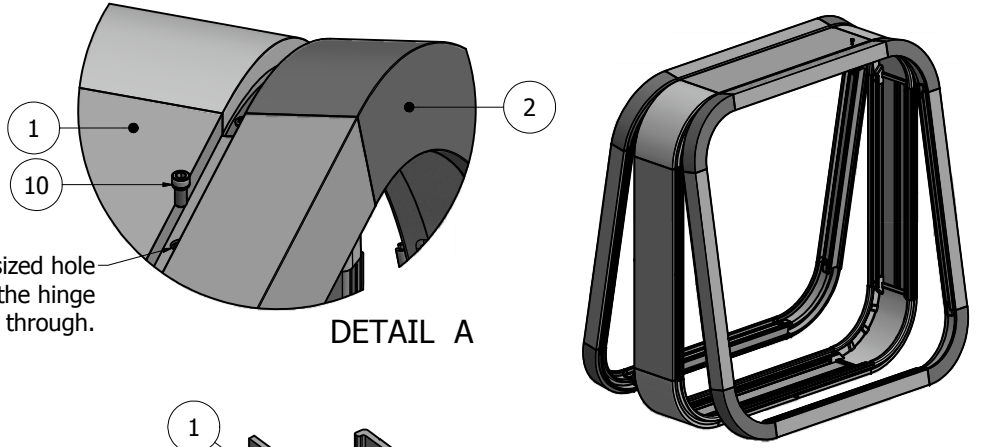


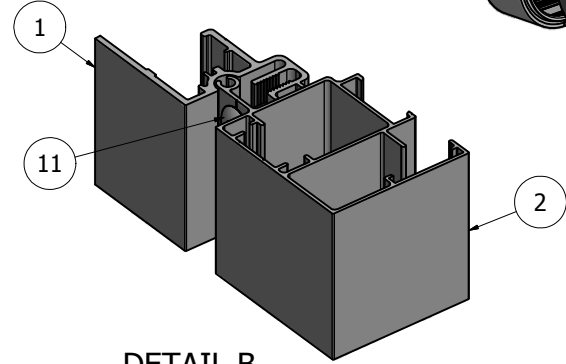
PARTS LIST			
ITEM	PART #	DESCRIPTION	NOTES
1	K2015/4050	Medium Body w/ 9in Radius Corners	Assembly
2	K2045/65/75/4200	2 1/4" Retainer and Dual Frame w/ 9in Radius Corners & Covers	Assembly
10	5170	Hinge Screw	Drill 3/8" pilot hole
11	5180	Closure Screw	Drill 5/16" pilot hole

Ship To:
Sales Order#

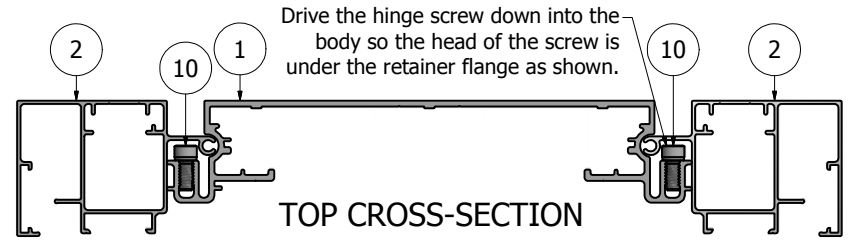
***NOTE:** Drill a 3/8" oversized hole for the head of the hinge screw to slip through.



DETAIL A

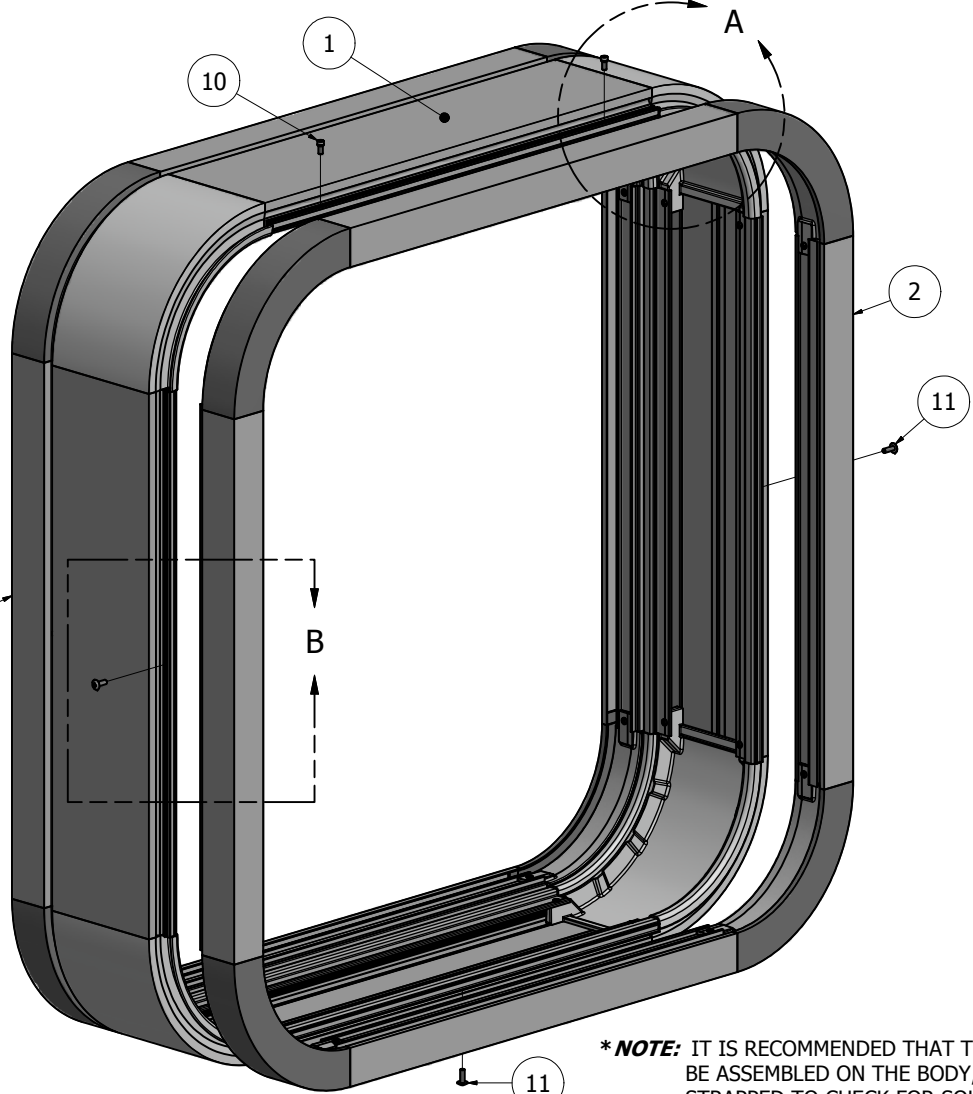


DETAIL B
FRAME CLOSED



TOP CROSS-SECTION

***NOTE: PRE-CUT KITS ARE NOT PRE-DRILLED.**
(Holes shown in this drawing are for reference only. Drilling of pilot holes are to be done by fabricator.)



***NOTE:** IT IS RECOMMENDED THAT THE FRAME BE ASSEMBLED ON THE BODY, THEN RATCHET STRAPPED TO CHECK FOR SQUARE, BEFORE THE FRAME IS WELDED OR MECHANICALLY FASTENED.

THIS DRAWING WAS CREATED AT NO CHARGE TO ASSIST YOU IN VISUALIZING OUR PROPOSAL. THE DRAWING HEREIN IS THE PROPERTY OF SIGNCOMP. PERMISSION TO COPY OR REVISE THIS DRAWING OR TO USE THIS DRAWING FOR PRODUCTION IS STRICTLY PROHIBITED AND CAN ONLY BE COPIED, REVISED OR USED FOR PRODUCTION WITH THE EXPRESSED WRITTEN PERMISSION OF SIGNCOMP.

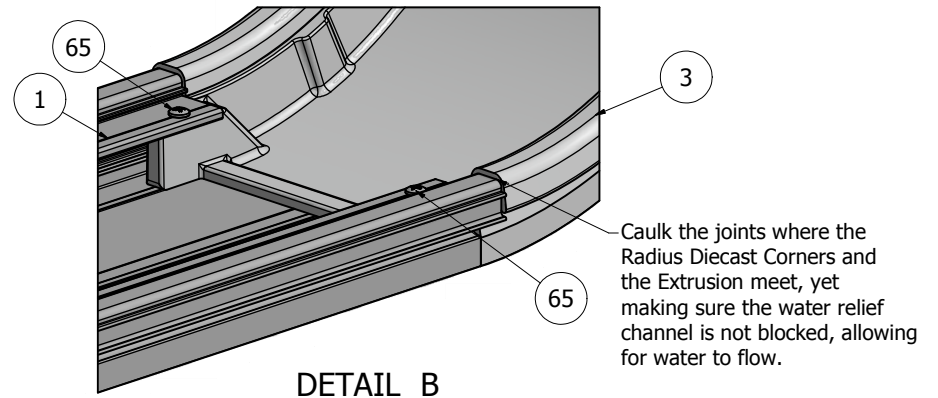
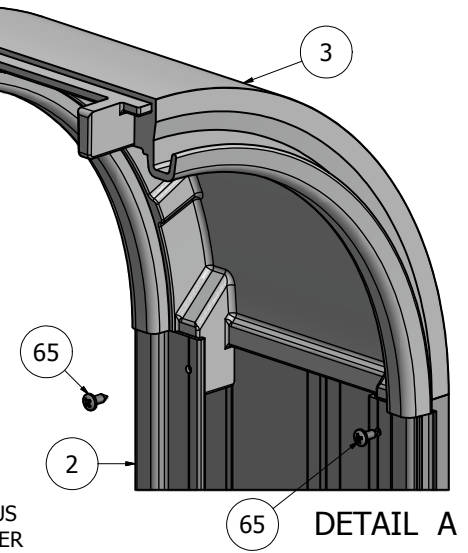
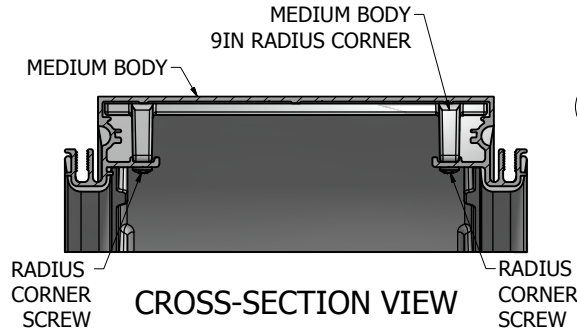
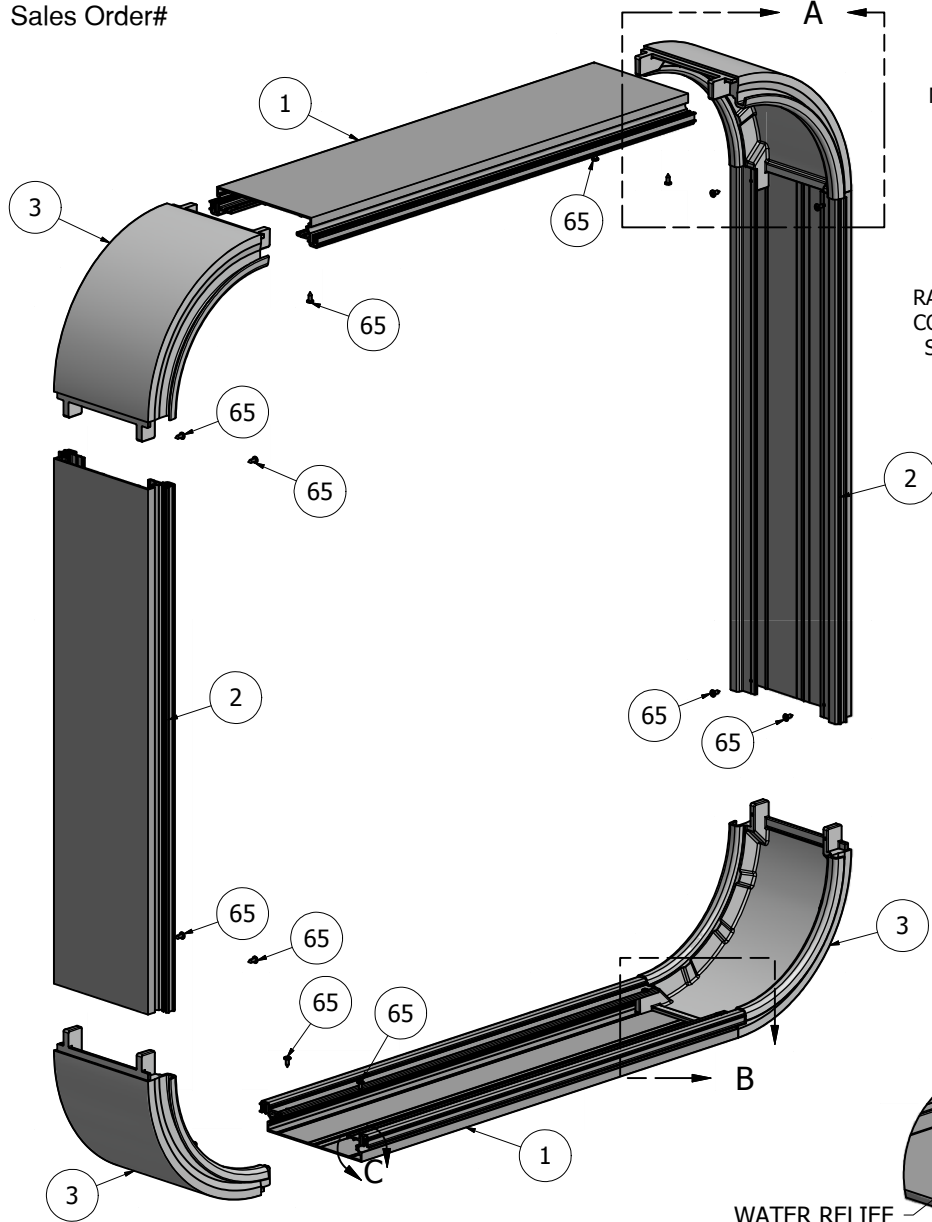
DRAWING BY:	SBreihof	11/22/2013
Centroid X:	0.000 in	
Centroid Y:	0.000 in	
Principal Moments Ix:	0.000 in ⁴	
Principal Moments Iy:	0.000 in ⁴	
Section Modulus Ix:	0.000 in ³	
Section Modulus Iy:	0.000 in ³	

<h1>SignComp</h1>	
Medium Body w/ 2-1/4" Retainer and 9in Radius Corners - Assembly	
PART NO	REV
KMB/45/4540	
SHEET 1 OF 1	

PARTS LIST			
ITEM	PART #	DESCRIPTION	NOTES
1	2015	Medium Body	Top & Bottom
2	2015	Medium Body	Sides
3	4050	Medium Body 9in Radius Corner	
65	5218	Radius Corner Screw	Drill 5/32" pilot hole

***NOTE:** RADIUS CORNERS ARE DESIGNED TO BE WELDED, HOWEVER CAN ALSO BE MECHANICALLY ASSEMBLED.

Ship To:
Sales Order#



NOTE: PRE-CUT KITS ARE NOT PRE-DRILLED.
(Holes shown in this drawing are for reference only. Drilling of pilot holes are to be done by fabricator.)

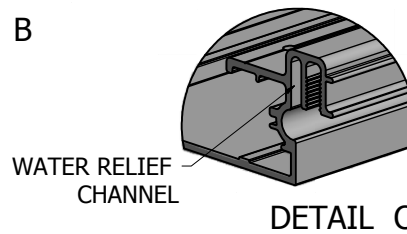
THIS DRAWING WAS CREATED AT NO CHARGE TO ASSIST YOU IN VISUALIZING OUR PROPOSAL. THE DRAWING HEREIN IS THE PROPERTY OF SIGNCOMP. PERMISSION TO COPY OR REVISE THIS DRAWING OR TO USE THIS DRAWING FOR PRODUCTION IS STRICTLY PROHIBITED AND CAN ONLY BE COPIED, REVISED OR USED FOR PRODUCTION WITH THE EXPRESSED WRITTEN PERMISSION OF SIGNCOMP.

DRAWING BY:	SBreihof	6/26/2013
Centroid X:	0.000 in	
Centroid Y:	0.000 in	
Principal Moments Ix:	0.000 in ⁴	
Principal Moments Iy:	0.000 in ⁴	
Section Modulus Ix:	0.000 in ³	
Section Modulus Iy:	0.000 in ³	

SignComp

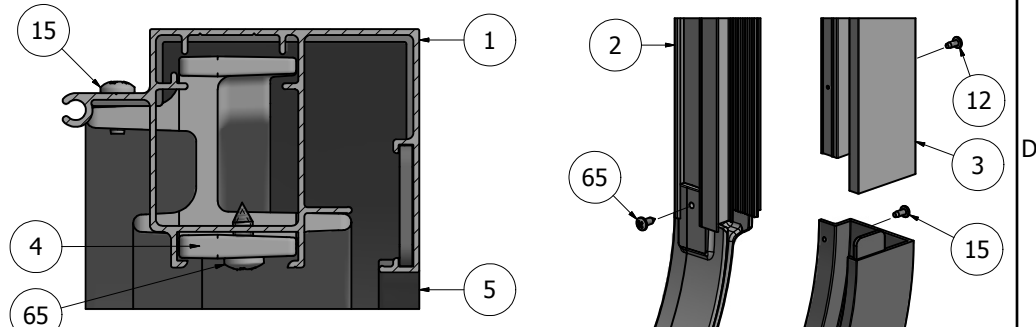
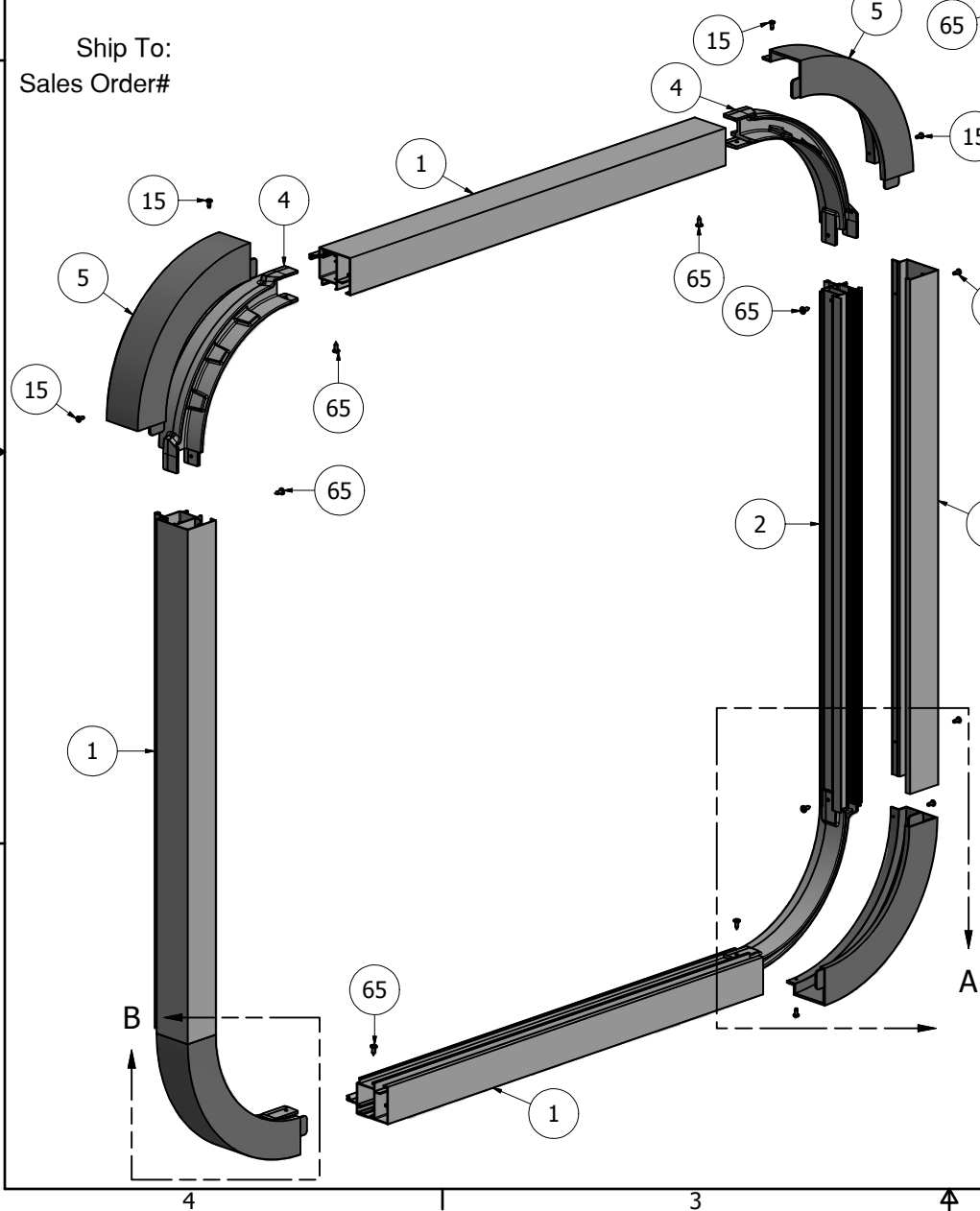
Medium Body w/ 9in Radius Corners - Assembly

PART NO	KMB-4050	REV
---------	-----------------	-----

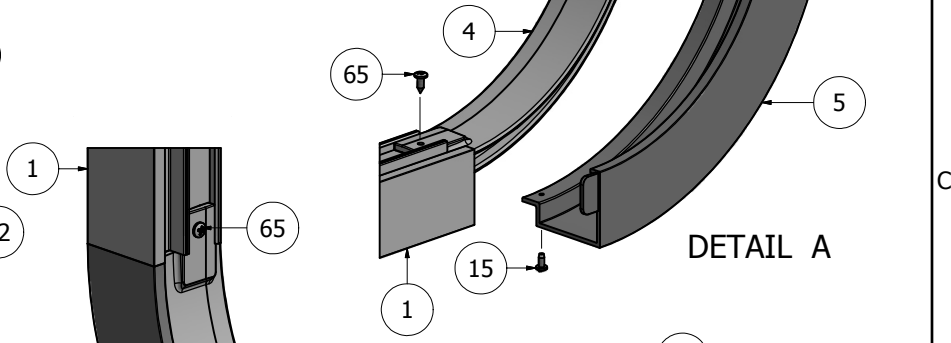


PARTS LIST			
ITEM	PART#	DESCRIPTION	NOTES
1	2045	2 1/4" Retainer	Top, Bottom & One Side
2	2065	Dual Frame	One Side
3	2075	2 1/4" Dual Frame Cover	One Side
4	4200	Dual Frame 9in Radius Corner	All 4 Corners
5	4220P	Dual Frame 9in Radius Cover	All 4 Corners
12	5195	Cover Screw	Pre-drill a 3/32" pilot hole
15	5195	Radius Corner Cover Screw	Pre-drill a 3/32" hole
65	5218	Radius Corner Screw	Drill a 5/32" pilot hole

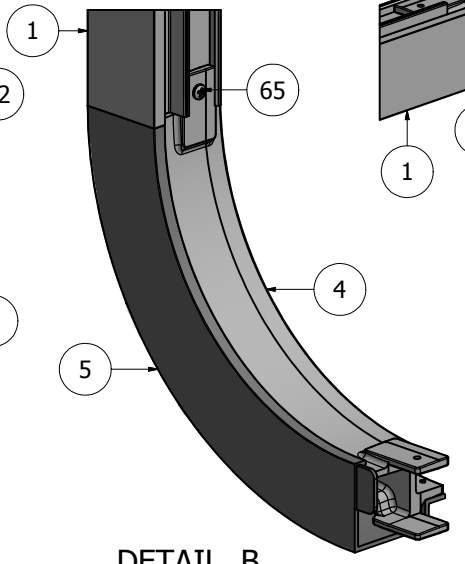
Ship To:
Sales Order#



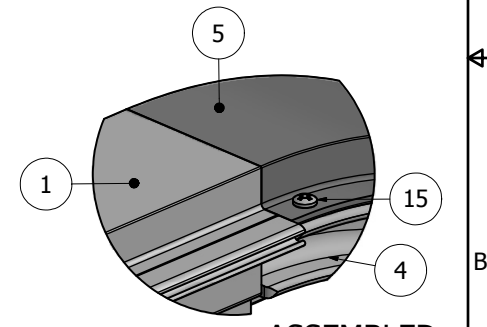
TOP CROSS-SECTION



DETAIL A



DETAIL B



ASSEMBLED BACK VIEW

NOTE: PRE-CUT KITS ARE NOT PRE-DRILLED.
(Holes shown in this drawing are for reference only.
Drilling of pilot holes are to be done by fabricator.)

THIS DRAWING WAS CREATED AT NO CHARGE TO ASSIST YOU IN VISUALIZING OUR PROPOSAL. THE DRAWING HEREIN IS THE PROPERTY OF SIGNCOMP. PERMISSION TO COPY OR REVISE THIS DRAWING OR TO USE THIS DRAWING FOR PRODUCTION IS STRICTLY PROHIBITED AND CAN ONLY BE COPIED, REVISED OR USED FOR PRODUCTION WITH THE EXPRESSED WRITTEN PERMISSION OF SIGNCOMP.			
DRAWN	SBreihof	12/19/2012	SignComp
Centroid X:	0.000 in	TITLE	
Centroid Y:	0.000 in	2 1/4" Retainer and Dual Frame & Cover w/ 9in Radius Corners - Assembly	
Principal Moments Ix:	0.000 in ⁴	DWG NO	REV
Principal Moments Iy:	0.000 in ⁴	K2045-65-75-4200-4220P	
Section Modulus Ix:	0.000 in ³	SHEET 1 OF 1	
Section Modulus Iy:	0.000 in ³		